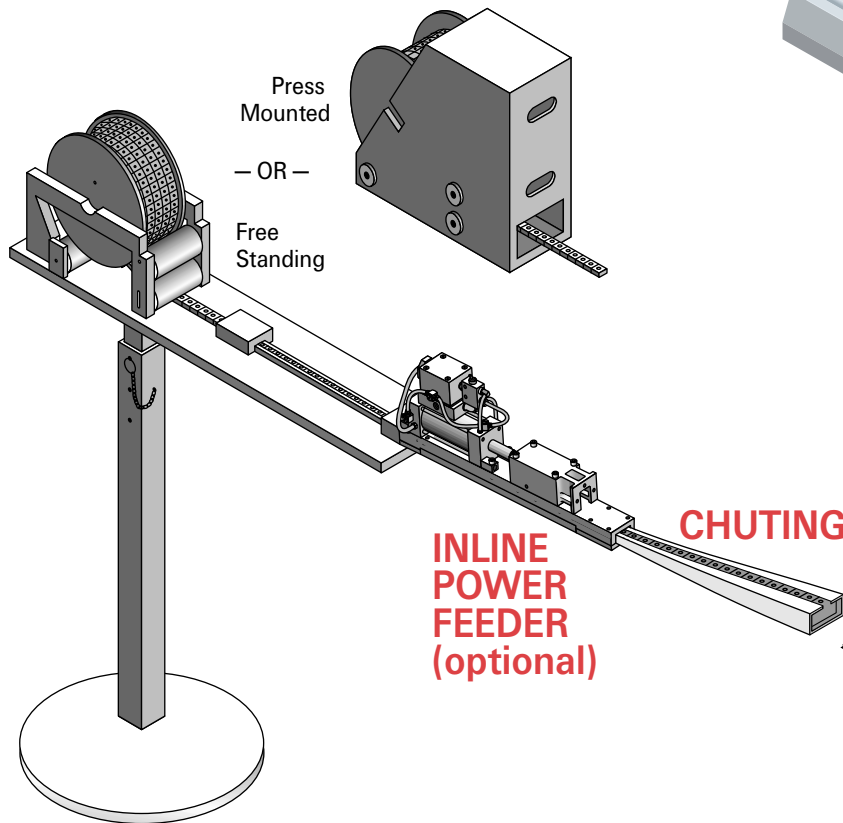




Strip Pierce® Nut System

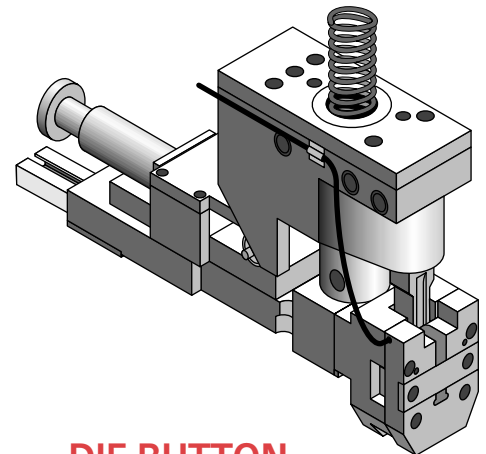
STRIP PIERCE® NUTS

Hi-Stress® – OR – Universal



STRIP PIERCE® NUT INSTALLATION HEAD

- Reel-Feed® Head with Probing
 - MultiPierce® Reel-Feed Head (shown)
 - Multimatic™ Reel-Feed Head



STRIP PIERCE® NUT DE-REELER

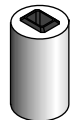
- Free Standing
 - Single Track (shown)
 - Multiple Track
- Press Mounted
 - Single Track (shown)
 - Multiple Track

OTHER OPTIONS:

- Registry Markers

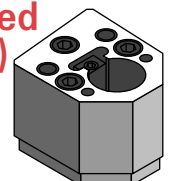
DIE BUTTON

- Universal MB Series
- Universal Corner Clinch MBR Series
- Hi-Stress HSB Series
- Hi-Stress Corner Clinch HSR Series



RETAINER (with Hardened Backup Plate)

- Universal MPRAM
- Hi-Stress HSRBAM

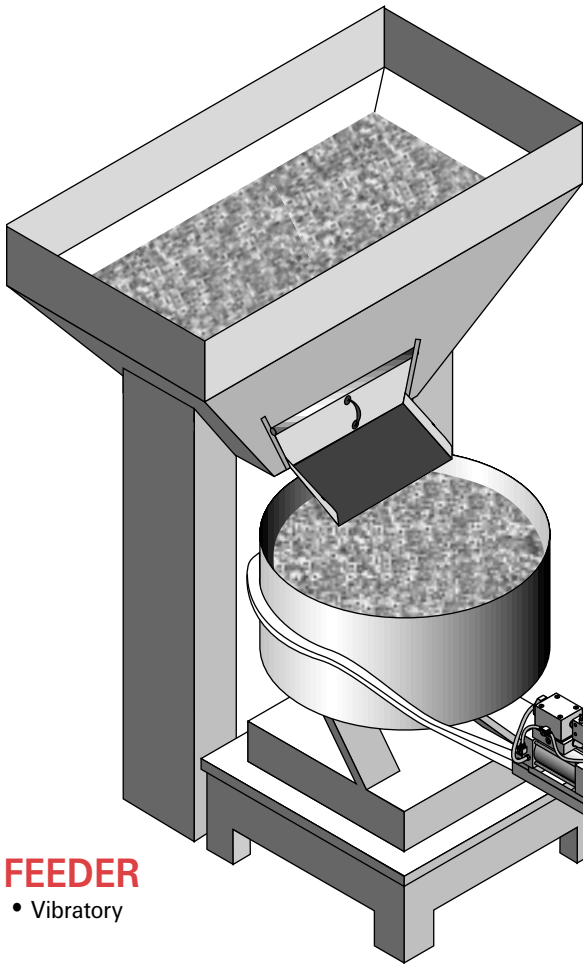


Fasten it. Drive it.®





Bulk Pierce Nut System



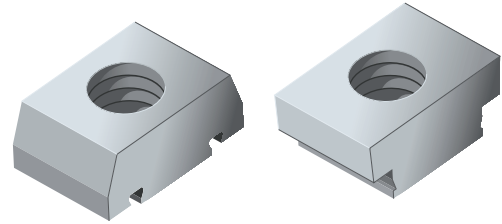
FEEDER
• Vibratory

**INLINE
POWER
FEEDER**

CHUTING

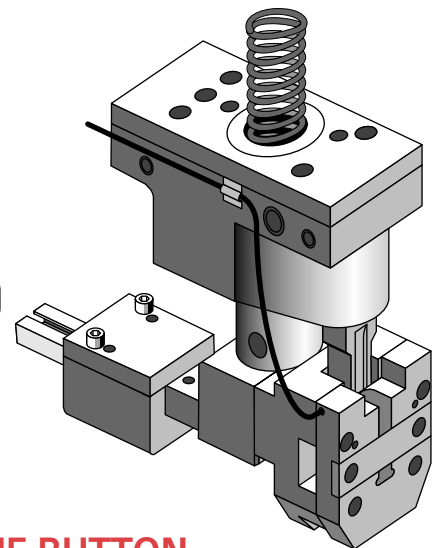
PIERCE NUTS

Hi-Stress® – OR – Universal



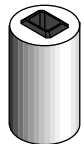
INSTALLATION HEAD WITH PROBING

- MultiPierce® Head (shown)
- Multimatic™ Head



DIE BUTTON

- Universal MB Series
- Universal Corner Clinch MBR Series
- Hi-Stress HSB Series
- Hi-Stress Corner Clinch HSR Series



OTHER OPTIONS:

- Registry Markers

RETAINER (with Hardened Backup Plate)

- Universal MPRAM
- Hi-Stress HSRBAM

